

DEARBORN SINGLE DISC *Harrow*

SERIES "A" (LIFT TYPE) MODELS 11-1, 11-2, AND 11-3

Group 1—DEARBORN SINGLE DISC HARROWS Series "A" (Lift Type)—Models 11-1, 11-2, and 11-3

FIG. 7	PART NO.	NAME AND DESCRIPTION	QTY. REQ.
Group 1-1—LIFT FRAME ASSEMBLY			
1	110001	FRAME, Lift (Welded Assembly) Consists of Frame which is not serviced separately plus Fittings listed below:	1
2	300017	FITTING, Lube	2
3	110013	DRAWBAR, Outer	2
4	110012	BRACE, Connecting.	2
5	34727-S7-8	WASHER, 1-1/4" Flat } Outer Drawbar and Connecting Brace	2
6	72113-S7-8	COTTER PIN, 3/8" x 1/2" } to Lift Frame	
7	103880	PIN, Link	2
8	34811-S7-8	LOCKWASHER, 5/8" } Link Pin to Lift Frame	2
9	33850-S7-8	NUT, 5/8" - 18 Hex. }	
10	110014	ARM, Center Drawbar Lever	1
11	21064-S7-8	BOLT, 5/8" - 11 x 2" Hex. Hd. }	1
12	34721-S7-8	WASHER, 5/8" Flat	
13	110015	BUSHING	
--	34811-S7-8	LOCKWASHER, 5/8"	
--	33849-S7-8	NUT, 5/8" - 11 Hex.	
14	72035-S7-8	COTTER PIN, 1/8" x 1" } Lever Arm to Drawbar Lock	1
15	34709-S7-8	WASHER, 1/2" Flat }	
16	110016	LOCK, Drawbar (Welded Assembly)	1
17	21487-S7-8	BOLT, 7/16" - 14 x 1-3/4" Hex. Hd. }	1
18	34708-S7-8	WASHER, 7/16" Flat	
19	110019	BUSHING	
--	34808-S7-8	LOCKWASHER, 7/16"	
--	33801-S7-8	NUT, 7/16" - 14 Hex.	
20	110514	RACK, Drawbar (Welded Assembly)	1
--	110512	ADAPTER RACK PILOT ASSEMBLY Consists of Rack Pilot plus attaching parts	1
21	110511	PIN, 3/4" x 5-1/4" }	1
22	34723-S7-8	WASHER, 3/4" Flat }	
23	72111-S7-8	COTTER PIN, 1/4" x 2" }	2
24	20388-S7-8	BOLT, 3/8" - 16 x 1" Hex. Hd. }	
25	34807-S7-8	LOCKWASHER, 3/8" }	1
26	33799-S7-8	NUT, 3/8" - 16 Hex. }	
27	*110507	DRAWBAR, Center	2
28	110021	PLATE, Center Drawbar Guide	1
29	110020	SEAT, Spring	1
30	110026	SPRING, Adjusting	1
31	110023	BOLT ASSEMBLY, Adjusting Spring Consists of Bolt and Sleeve which are not serviced separately plus Nuts listed below:	1
32	33853-S7-8	NUT, 7/8" - 9 Hex.	2
33	110022	ROD, Adjusting Spring Guide	1
34	34724-S7-8	WASHER, 7/8" Flat } Spring Guide Rod	2
35	72073-S7-8	COTTER PIN, 3/16" x 1/2" }	

*When replacing Center Drawbars on units prior to Serial No. 2517 Order 2 - 110507 Center Drawbars, 1 - 110514 Drawbar Rack, 1 - 110512 Adapter Rack Pilot Assembly, 1 - 110511 Pin, 2 - 72111-S7-8 Cotter Pins, 2 - 34723-S7-8 Washers, 1 - 20388-S7-8 Bolt, 1 - 34807-S7-8 Washer and 1 - 33799-S7-8 Nut.

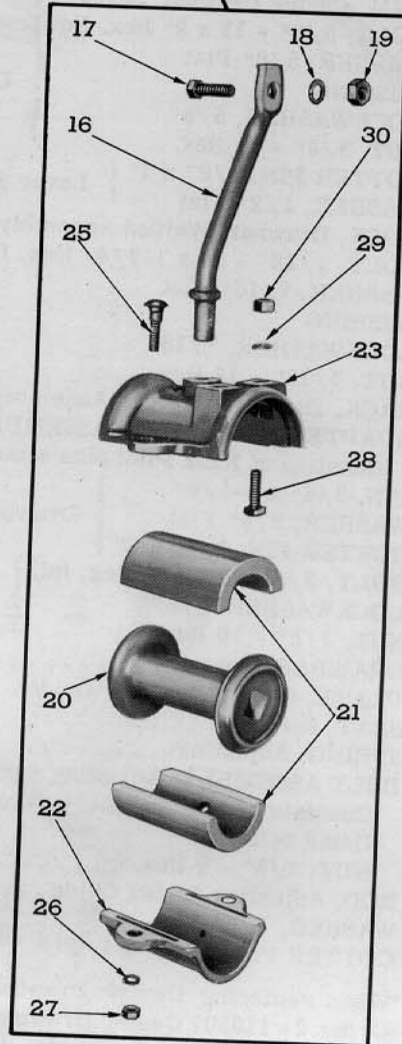
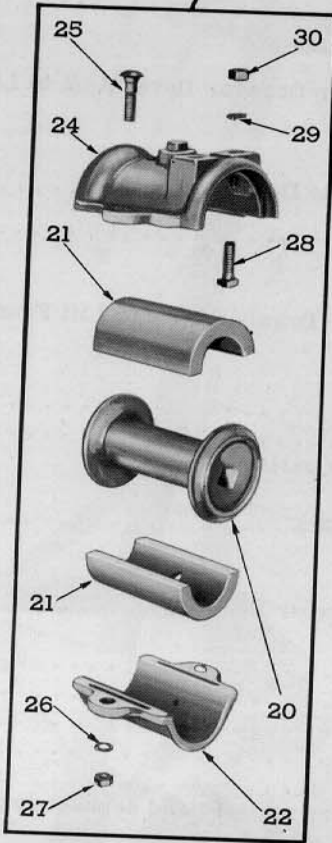
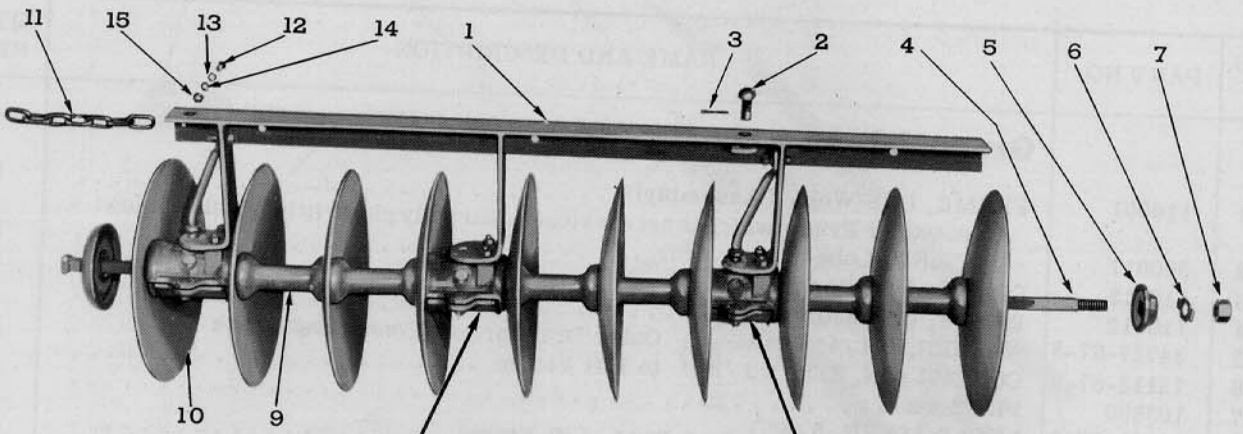


Figure 8 - Gang Assembly

DEARBORN SINGLE DISC Harrows

SERIES "A" (LIFT TYPE) MODELS 11-1, 11-2, AND 11-3

FIG. 8	PART NO.	NAME AND DESCRIPTION	QTY. REQ.		
			11-1	11-2	11-3
Group 1-2—GANG ASSEMBLIES					
-	110076	CROSSMEMBER, Right (Welded Assembly)	1	1	
1	110077	CROSSMEMBER, Left (Welded Assembly)	1	1	
-	110452	CROSSMEMBER, Right (Welded Assembly)			1
-	110459	CROSSMEMBER, Left (Welded Assembly)			1
2	300117	PIN, 3/8" x 1-3/4" Drilled End } Connecting Brace to			
3	72073-S7-8	COTTER PIN, 3/16" x 1-1/4" } Crossmember	2	2	2
4	110031	BOLT, Gang, 7/8" - 9 x 61-1/2"	2	2	
-	110454	BOLT, Gang, 7/8" - 9 x 74-1/2"			2
5	110044	WASHER			
6	110045	LOCK			
7	33853-S7-8	NUT, 7/8" - 9 Hex. } Gang Bolt	2	2	2
8	110032	PLATE, Bumper	2	2	2
9	110033	SPOOL, Spacer	12	12	14
10	110034	BLADE, Disc, 16"	20		24
--	110035	BLADE, Disc, 18"			
11	110058	CHAIN, Connecting - Left Crossmember to Right Crossmember . .	1	1	1
12	20426-S7-8	BOLT, 5/16" - 18 x 1-1/4" Hex. Hd.)			
13	34706-S7-8	WASHER, 5/16" Flat) Connecting Chain to			
14	34806-S7-8	LOCKWASHER, 5/16") Crossmembers	2	2	2
15	33797-S7-8	NUT, 5/16" - 18 Hex.)			
16	110503	BRACE, Leg	4	4	4
17	20450-S7-8	BOLT, 7/16" - 14 x 1-3/8" Hex. Hd.)			
18	34808-S7-8	LOCKWASHER, 7/16") Leg Brace to			
19	33801-S7-8	NUT, 7/16" - 14 Hex.) Crossmember	4	4	4
20	110037	SPOOL, Bearing	6	6	8
21	110038	BEARING, Wood	12	12	16
22	110039	CAP, Lower Bearing	6	6	6
--	111610	CAP, Upper Bearing, Right End (Welded Assembly)	2	2	2
23	111612	CAP, Upper Bearing, Left End (Welded Assembly)	2	2	2
--	111611	CAP, Upper Bearing, Right Center (Welded Assembly)	1	1	2
24	111613	CAP, Upper Bearing, Left Center (Welded Assembly)	1	1	2
25	23472-S7-8	BOLT, 7/16" - 14 x 1-1/2" Carr.)			
26	34808-S7-8	LOCKWASHER, 7/16") Upper Cap to Lower Cap . . .	12	12	16
27	33801-S7-8	NUT, 7/16" - 14 Hex.)			
28	20450-S7-8	BOLT, 7/16" - 14 x 1-3/8" Hex. Hd.)			
29	34808-S7-8	LOCKWASHER, 7/16") Upper Bearing to			
30	33801-S7-8	NUT, 7/16" - 14 Hex.) Crossmember	12	12	16
--	300017	FITTING, Lube - Bearing Cap.	6	6	8

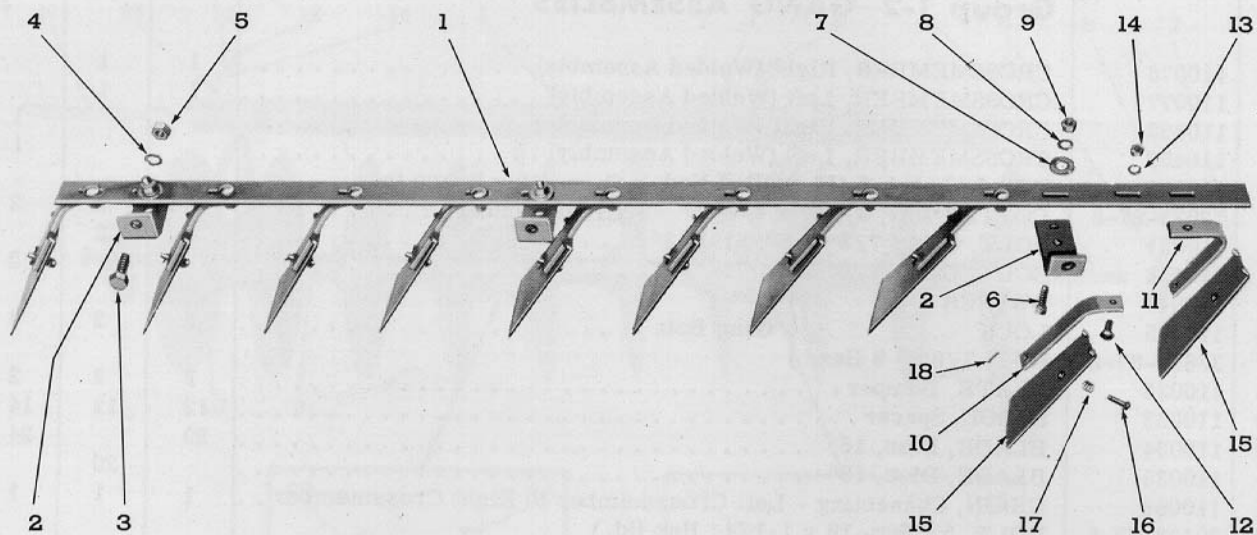


Figure 9 - Scraper Assembly

FIG. 9	PART NO.	NAME AND DESCRIPTION	QTY. REQ.		
			11-1	11-2	11-3
Group 1-3—SCRAPER ASSEMBLIES					
-	110060	ANGLE, Disc Scraper, Right	1	1	
1	110070	ANGLE, Disc Scraper, Left	1	1	
-	110456	ANGLE, Disc Scraper, Right			1
-	110462	ANGLE, Disc Scraper, Left			1
2	110061	BRACKET, Disc Scraper Angle to Crossmember	6	6	8
3	23036-S7-8	BOLT, 1/2" - 13 x 1-1/2" Sq. Hd.	} Disc Scraper Bracket to Crossmember	6	8
4	34809-S7-8	LOCKWASHER, 1/2"			
5	33845-S7-8	NUT, 1/2" - 13 Hex.	} Disc Scraper Bracket to Frame Angle	6	8
6	23035-S7-8	BOLT, 7/16" - 14 x 1-1/2" Sq. Hd.			
7	34708-S7-8	WASHER, 7/16" Flat	}	6	8
8	34808-S7-8	LOCKWASHER, 7/16"			
9	33801-S7-8	NUT, 7/16" - 14 Hex.			
10	110063	ARM, Scraper Blade	18	18	22
11	110068	ARM, Scraper Blade (End)	2	2	2
12	23410-S7-8	BOLT, 1/2" - 13 x 1-1/2" Sq. Hd.	} Scraper Blade Arm to Frame Angle	20	24
13	34807-S7-8	LOCKWASHER, 1/2"			
14	33845-S7-8	NUT, 1/2" - 13 Hex.	}	10	12
--	110064	BLADE, Scraper, Right			
15	110310	BLADE, Scraper, Left	10	10	12
--	110074	BLADE TENSION ASSEMBLY	20	20	24
Consists of:					
16	300118	PIN, Retaining	20	20	24
17	110066	SPRING, Blade Tension	20	20	24
18	72071-S7-8	COTTER PIN, 1/8" x 1-1/2"	20	20	24